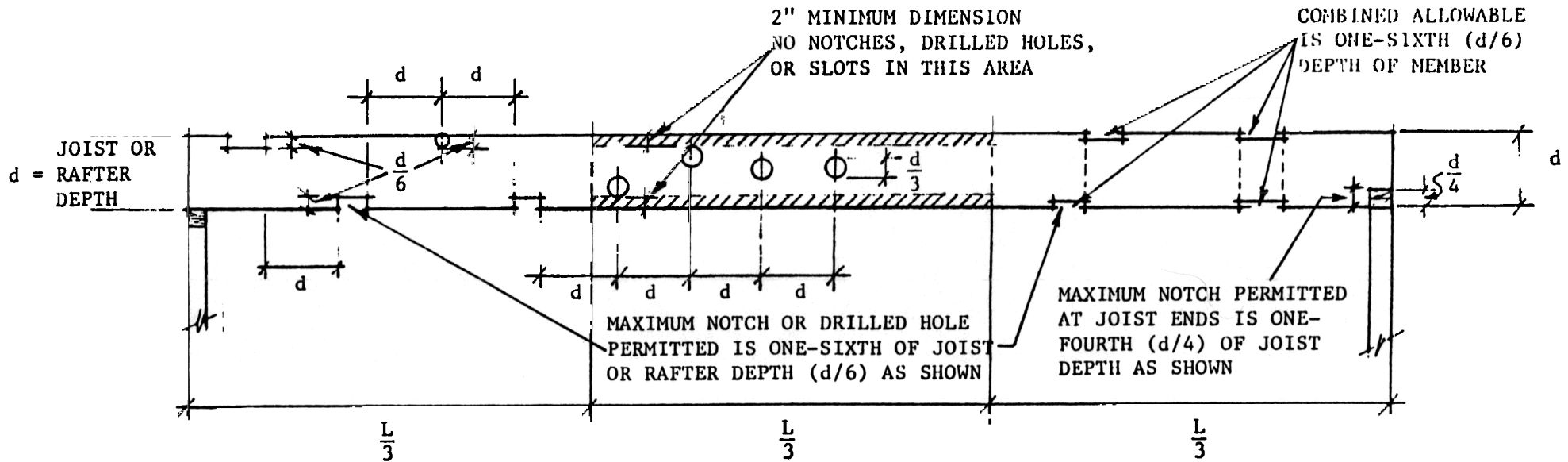


NOTCHING AND HOLE BORING GUIDE



- GENERAL NOTES:
- HOLES, NOTCHES, AND SLOTS ARE NOT TO BE LOCATED ADJACENT TO UNSOUND OR LOOSE KNOTS.
 - PREFERRED LOCATION OF NOTCH IS AT TOP OF MEMBER.

ALLOWABLE NOTCH AND BORED HOLE DIMENSIONS							
JOISTS AND RAFTERS					BEARING STUDS		NONBEARING STUDS
NOMINAL	ACTUAL	$d/6$	$d/4$	$d/3$.25w	.40w	.60w
4"	3 1/2	5/8	7/8	1 1/8	7/8	1 3/8	2 1/8
6"	5 1/2	7/8	1 3/8	1 7/8	1 3/8	2 1/4	3 1/4
8"	7 1/4	1 1/4	1 7/8	2 3/8	1 7/8	2 7/8	4 3/8
10"	9 1/4	1 1/2	2 3/8	3 1/8			
12"	11 1/4	1 7/8	2 7/8	3 3/4			
14"	13 1/4	2 1/4	3 3/8	4 3/8			

