

WATERTIGHT PIPE CONNECTIONS SHALL BE INSTALLED (FIELD OR FABRICATION FACILITY) CONFORMING TO ASTM C-923 AND C-443, AND ALLOW FOR 10 DEGREE DEFLECTION IN ANY DIRECTION.

SECTION

NOTES:

1. USE FOR DROPS GREATER THAN 2'-0" ABOVE INVERT OF MANHOLE
2. FITTINGS ARE CAST IRON, CLASS 150 OR DUCTILE IRON CLASS 52
3. CROSS TO BE D.I.P. CL 52 WITH MECHANICAL RETAINER GLANDS
4. CONCRETE ENCASEMENT CLASS 3G52 OR UNDERGROUND UTILITY MORTAR MIX CONTAINING PORTLAND CEMENT
5. TELEWISE DROP PIPE AND MANHOLE PRE-CONSTRUCTION AND POST CONSTRUCTION.
6. INVERTS AND BENCH TO BE PRECAST OR FIELD POURED
7. PRECAST CONCRETE RISER SECTIONS TO MEET ASTM C-478.
8. NO STEPS FOR STRUCTURES GREATER THAN 20'
9. SUBMIT SHOP DRAWING FOR REVIEW

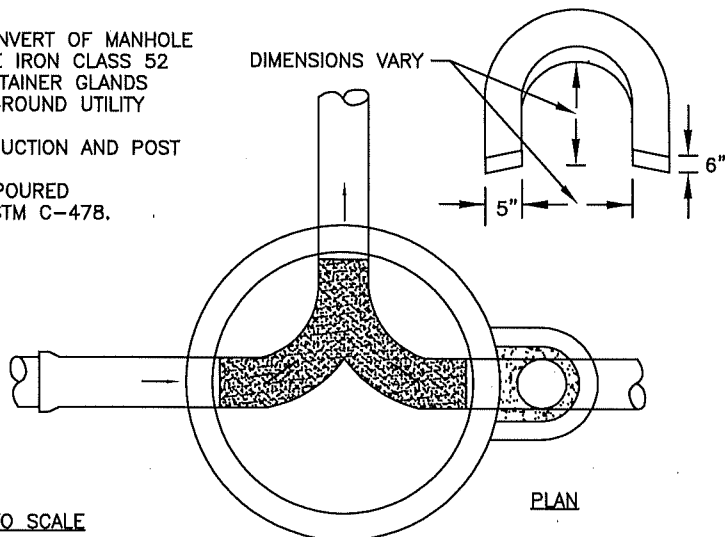
I hereby certify that this plan, specification or report was prepared by me or under my direct supervision and that I am a duly Licensed Professional Engineer under the laws of the State of Minnesota

Aaron D. Hass

AARON D HASS

Date 09-09-2021 Lic. No. 26424

DIMENSIONS VARY



PLAN

NOT TO SCALE

APPROVED 9-16-2021
Paul T. Furt
CITY ENGINEER

CITY OF ST. PAUL
DEPARTMENT OF PUBLIC WORKS
OUTSIDE DROP,
TYPE 2

Date of Revision
SEP 2021

Standard Plate No.
2116