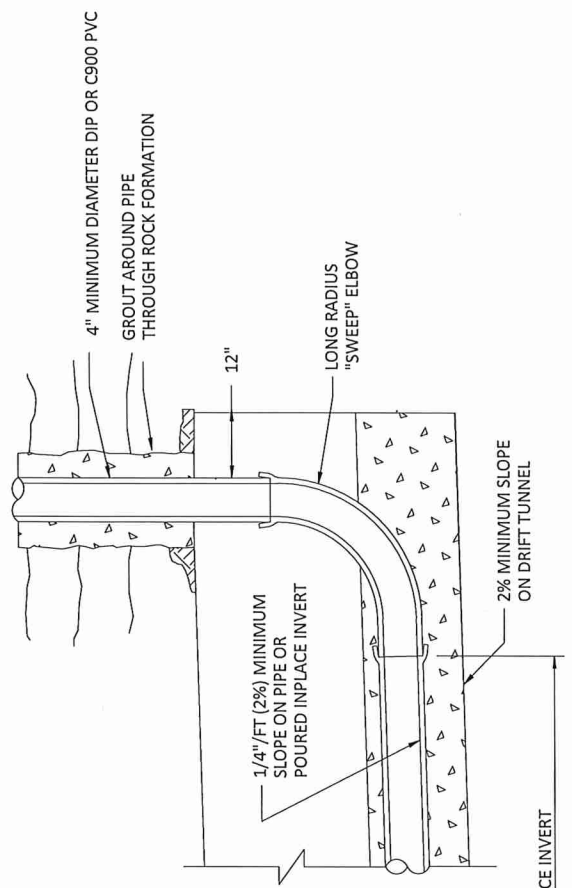
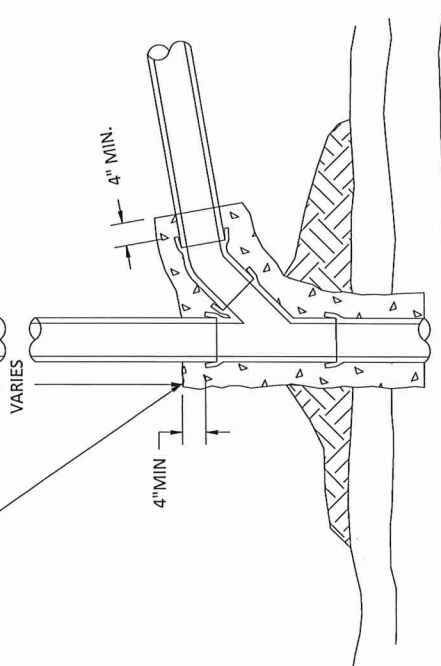
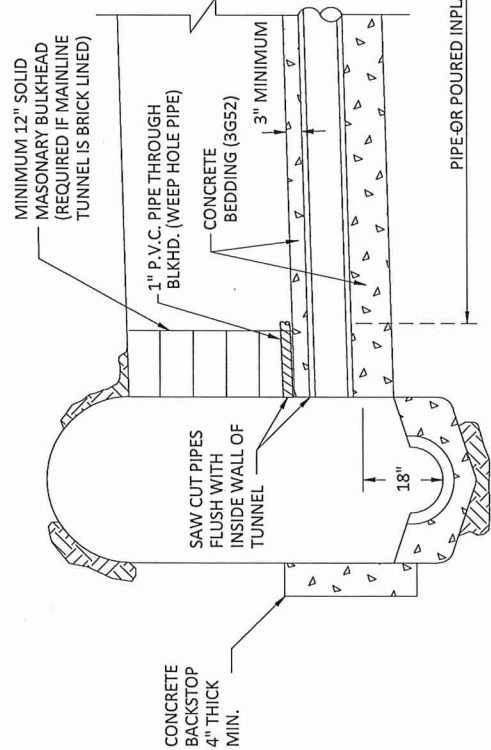


EXTEND GROUT ENCASMENT ABOVE WYE AS SHOWN, OR TO TOP OF ROCK, WHICHEVER IS HIGHER.



NOTES:

1. REFER TO SPECIFICATIONS AND INSTRUCTIONS TO HOUSE DRAIN CONTRACTORS FOR FURTHER INFORMATION AND DETAILS
2. THIS PLATE IS FOR USE WITH SANITARY COMMERCIAL CONNECTIONS FROM 4" TO 8" IN DIAMETER. STORM SEWER CONNECTIONS OR CONNECTIONS LARGER THAN 8" WILL REQUIRE A DIFFERENT DESIGN.



I hereby certify that this plan, specification or report was prepared by me or under my direct supervision and that I am a duly Licensed Professional Engineer under the laws of the State of Minnesota

Aaron D. Hass
AARON D. HASS

Date 11-19-21 Lic. No. 26424

APPROVED 11-29-2021
Paul Kurt
CITY ENGINEER

CITY OF ST. PAUL
DEPARTMENT OF PUBLIC WORKS
**COMMERCIAL SERVICE CONNECTIONS
TO SANDROCK TUNNELS**

Date of Revision
NOV 2021

Standard Plate No.
2336