

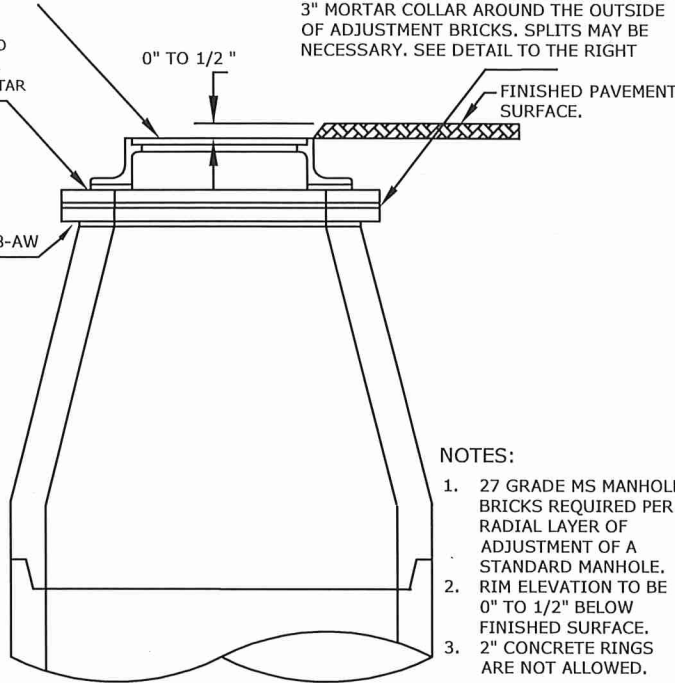
ADJUST MANHOLE 0" TO 6"

CASTINGS A & B
(UNLESS NOTED OTHERWISE)
STD. PLATES 2201E & 2202D
SEE NOTE 2.

SHIM FRAME TO MATCH GRADE,
1/2" MIN. MORTAR
THICKNESS.

NEENAH R-1678-AW
FRAME

ADJUSTMENT TO BE MADE WITH
GRADE MS MANHOLE BRICK (ASTM C-32)
PLACED RADIALLY ON A MINIMUM
1/2" THICK MORTAR AND 3/8" MORTAR
JOINTS. (MAXIMUM 6" ADJUSTMENT) WITH A
3" MORTAR COLLAR AROUND THE OUTSIDE
OF ADJUSTMENT BRICKS. SPLITS MAY BE
NECESSARY. SEE DETAIL TO THE RIGHT

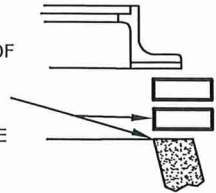


NOTES:

1. 27 GRADE MS MANHOLE BRICKS REQUIRED PER RADIAL LAYER OF ADJUSTMENT OF A STANDARD MANHOLE.
2. RIM ELEVATION TO BE 0" TO 1/2" BELOW FINISHED SURFACE.
3. 2" CONCRETE RINGS ARE NOT ALLOWED.

SIDE VIEW

MATCH SHORT SIDE OF
GRADE MS MANHOLE
BRICK (ASTM C-32)
WITH INSIDE RADIUS
OF PRECAST MANHOLE

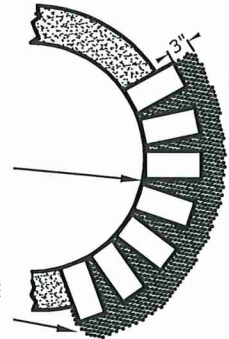


TOP VIEW

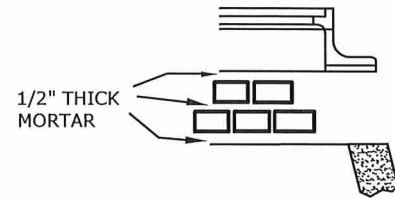
GRADE MS MANHOLE
BRICK (ASTM C-32)
PLACED RADIALLY ON
A MINIMUM OF 1/2"
THICK MORTAR

3/8" MORTAR JOINTS
AT INSIDE RADIUS OF
PRECAST MANHOLE

3" MORTAR COLLAR
AROUND THE OUTSIDE
OF THE ADJUSTMENT
BRICKS



STAGGER BRICKS OVER JOINTS



ADJUST MANHOLE 7" TO 17"

CASTINGS A & B
(UNLESS NOTED OTHERWISE)
STD. PLATES 2201E & 2202D
SEE NOTE 4

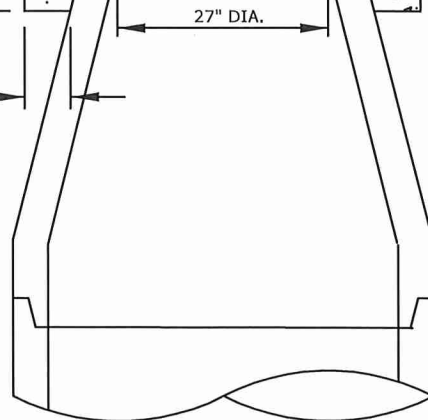
SHIM FRAME TO MATCH GRADE,
1/2" MIN. MORTAR THICKNESS.

VARIES 5" TO 15"

6"
6"

ADJUSTMENT TO BE MADE WITH GRADE
MS MANHOLE BRICK
(ASTM C-32) PLACED RADIALLY
ON A MINIMUM 1/2" THICK MORTAR
AND 3/8" MORTAR JOINTS. (MAXIMUM
2" ADJUSTMENT) WITH
A 3" MORTAR COLLAR AROUND THE
OUTSIDE OF ADJUSTMENT BRICKS.
SPLITS MAY BE NECESSARY. SEE
DETAIL ABOVE.

CAST IN PLACE
CONCRETE
(3G52) ⑤



NOTES:

1. 27 GRADE MS MANHOLE BRICKS REQUIRED PER RADIAL LAYER OF ADJUSTMENT OF A STANDARD MANHOLE.
2. MAY BE USED FOR ADJUSTMENTS OF LESS THAN 7" WITH APPROVAL OF THE ENGINEER.
3. SEE MANHOLE RECONSTRUCTION STANDARD PLATE 2322F FOR ADJUSTMENTS GREATER THAN 17"
4. RIM ELEVATION TO BE 0" TO 1/2" BELOW FINISHED SURFACE.
- ⑤. UPON SEWER UTILITY REVIEW INDIVIDUAL HIGH STRENGTH CONCRETE GRADE RINGS MAY BE USED (WITH MORTAR JOINTS). GRADE RINGS TO BE GREATER THAN 4" IN HEIGHT AND HAVE A 28-DAY COMPRESSIVE STRENGTH OF 5,000 PSI (MIN) & COMPLY WITH ASTM C478

I hereby certify that this plan, specification or report was prepared by me or under my direct supervision and that I am a duly Licensed Professional Engineer under the laws of the State of Minnesota

Aaron D. Hass
AARON D. HASS

Date 01-03-2022 Lic. No. 26424

APPROVED *1-4-2022*
Paul Kurtz
CITY ENGINEER

CITY OF ST. PAUL
DEPARTMENT OF PUBLIC WORKS
MANHOLE, ADJUST

Date of
Revision
JAN
2022

Standard
Plate
No.
2321D