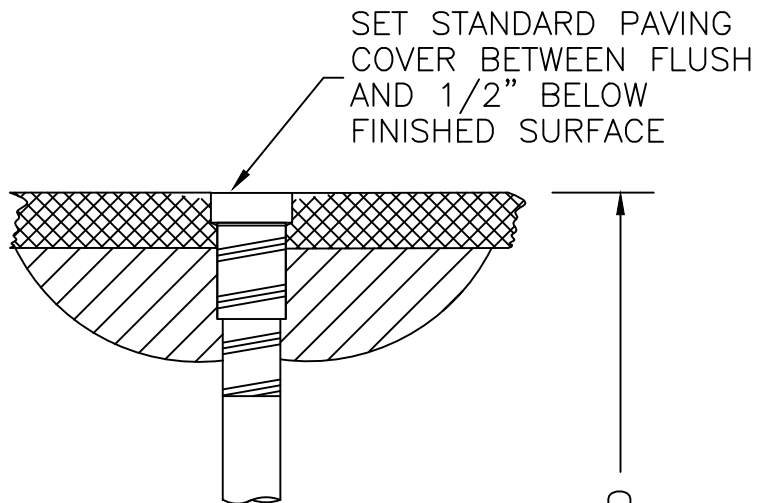


VALVE BOX BASE TO REST ON VALVE BOX ALIGNER

4" MIN

COMPACTED BACKFILL

DETAIL OF BASE SUPPORT



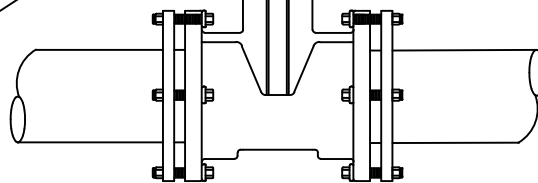
SET STANDARD PAVING COVER BETWEEN FLUSH AND 1/2" BELOW FINISHED SURFACE

AS REQUIRED

GATE VALVE
MECHANICAL JOINT
CLOCKWISE OPENING
CONFORMING TO AWWA C509

VALVE BOX
TYLER SERIES 6860
ITEM G OR APPROVED EQUAL

VALVE BOX ALIGNER



16" PIPES AND LARGER REQUIRE BUTTERFLY VALVES

DR. *LJP* DATE. 01/13/2020

CH. *VLH*

APPROVED

DJS

SAINT PAUL REGIONAL WATER SERVICES
ST. PAUL, MINNESOTA

VALVE BOX & INSTALLATION

STANDARD
PLATE

D-2