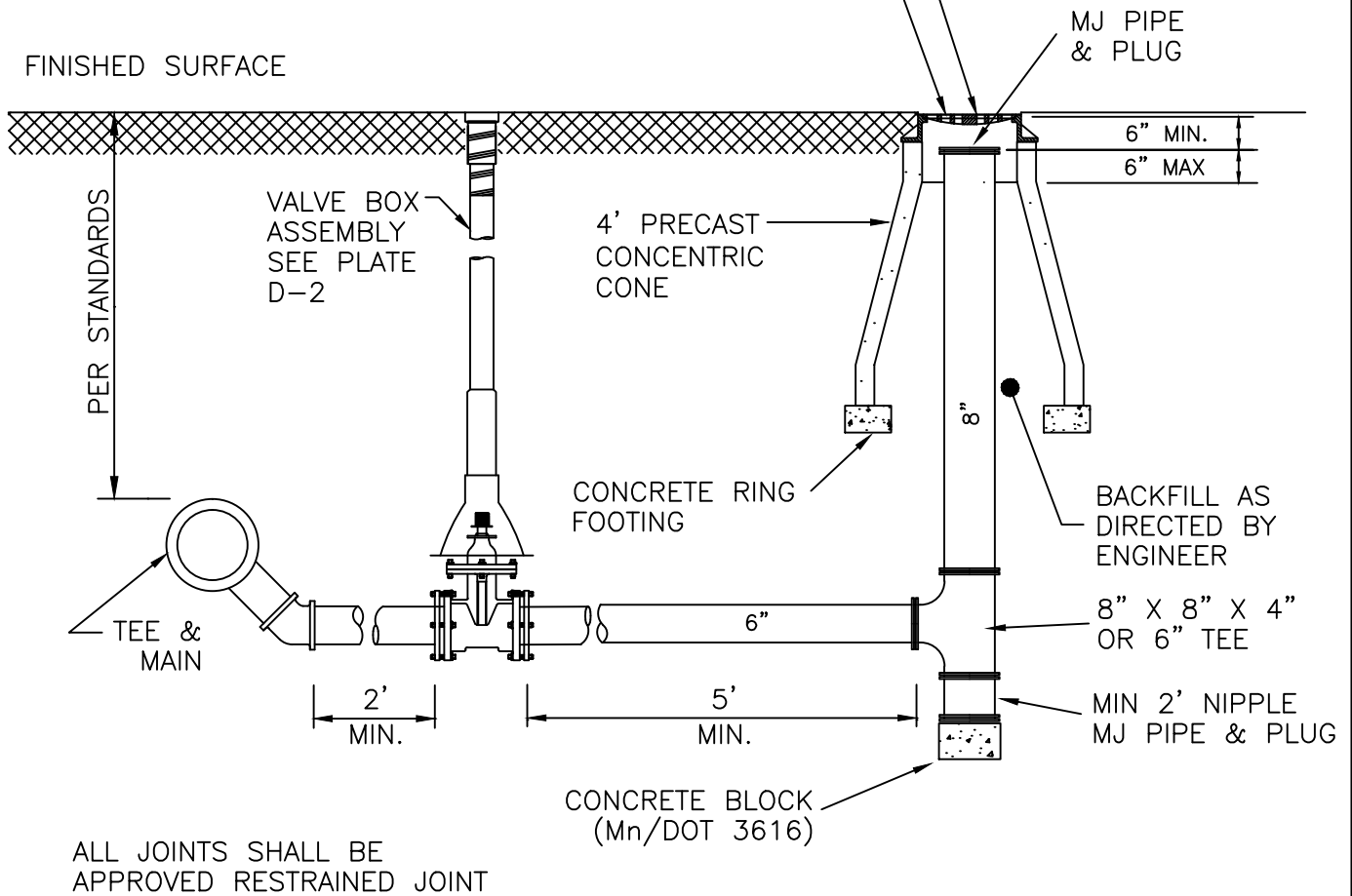


SET STANDARD MANHOLE COVER
BETWEEN FLUSH AND 1/2" BELOW
FINISHED SURFACE (TYPICAL)

"WATER" SHALL BE PERMANENTLY
MARKED ON THE TOP OF COVER



DR. LJP DATE. DJS

CH. VLM

APPROVED

DJS

SAINT PAUL REGIONAL WATER SERVICES
CITY OF ST. PAUL, MN

BLOW-OFF FOR 12" & LARGER MAINS

STANDARD
PLATE

D-9