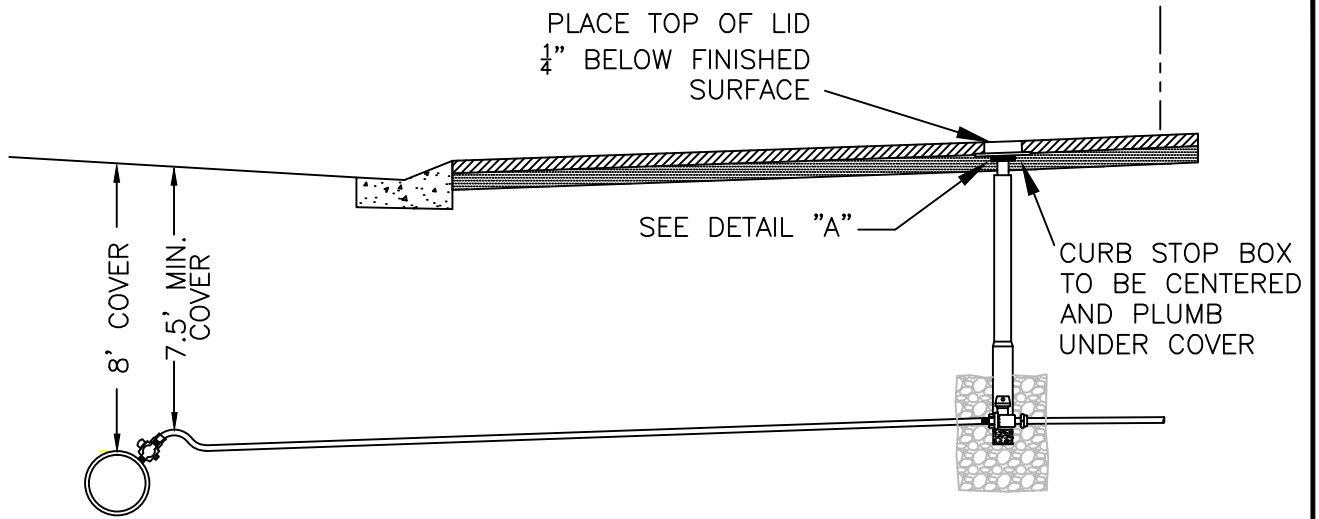
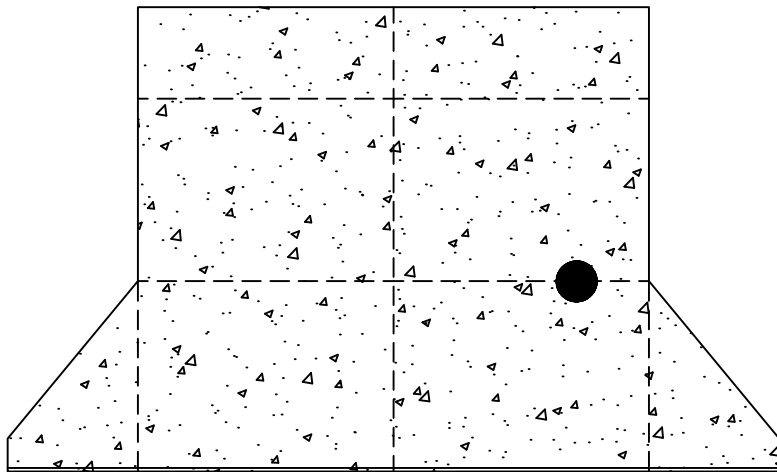


C/L

R/W



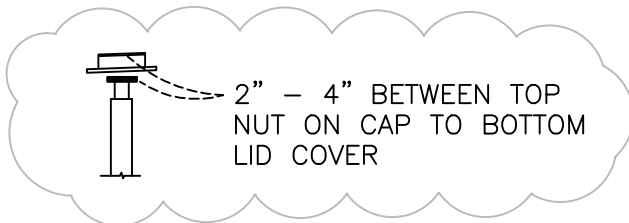
TYPICAL CONCRETE DRIVEWAY



CONTRACTOR TO  
INSTALL LID 2" - 4"  
ABOVE CURB BOX  
(SEE DETAIL "A")

SLOPE OF COVER  
TOP TO MATCH  
FINISHED GRADE

DETAIL "A"



FORD TYPE "A" SINGLE LID  
COVER OR APPROVED EQUAL



DR. *LJP* DATE. 01/13/2020

CH. *MGA*

APPROVED

*DJS*

SAINT PAUL REGIONAL WATER SERVICES  
CITY OF ST. PAUL, MN

INSET LID COVER FOR SLOPED PAVEMENT

STANDARD  
PLATE

D-14