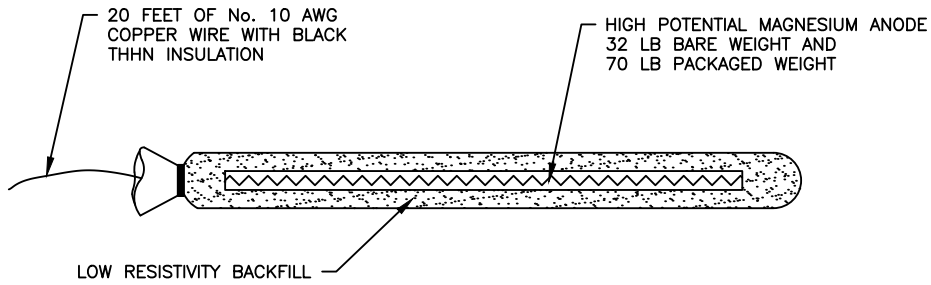
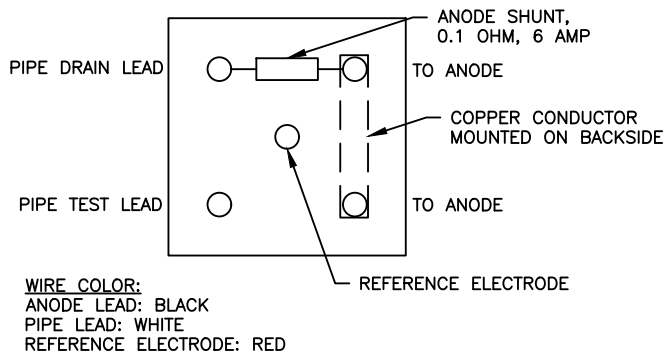


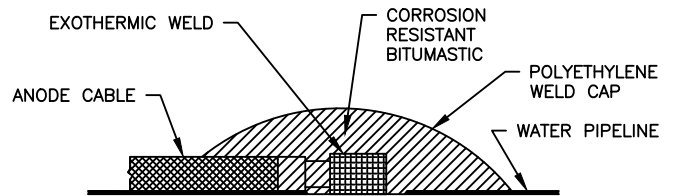
**STANDARD
ANODE DETAIL**



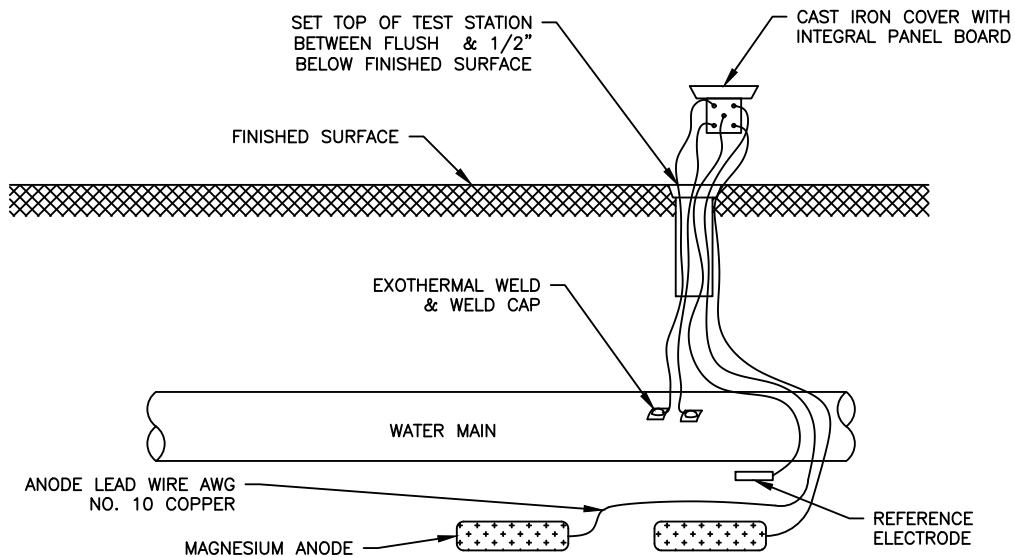
ANODE TEST PANEL CONFIGURATION



WELD CAP DETAIL



ANODE TEST STATION PROFILE



1. REMOVE OUTER PLASTIC WRAP JUST PRIOR TO ANODE INSTALLATION, DO NOT DAMAGE CLOTH BAG PACKAGING.
2. ANODE SHALL BE PLACED 3-5' AWAY FROM PIPE
3. ANODE SHALL BE SOAKED WITH MIN 2 GALLONS OF WATER UPON INSTALLATION TO ACTIVATE

DR. *AMB* DATE. 12/28/2022

CH. *TMJ*

APPROVED

RWH

**SAINT PAUL REGIONAL WATER SERVICES
CITY OF ST. PAUL, MN**

**CATHODIC PROTECTION
ANODE AND TEST STATION INSTALLATION**

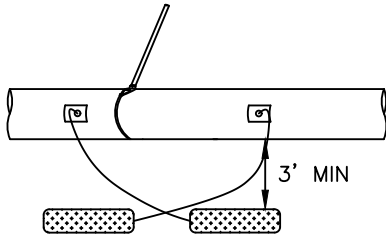
STANDARD
PLATE

D-15

1 of 2

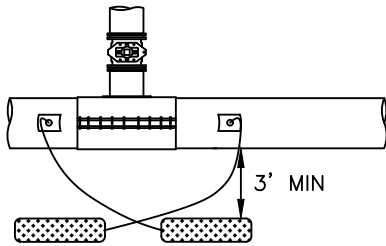
SERVICE TAPS ON CI/DI

COPPER SERVICE INSTALLATION/REPLACEMENT



(2) 32 LB (BARE WT.) MAGNESIUM ANODES

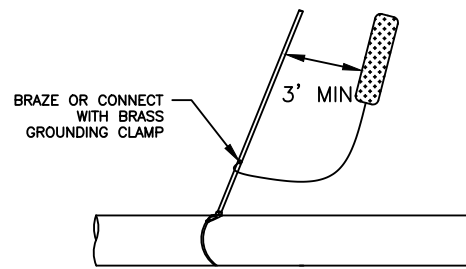
LARGE SERVICE INSTALLATION/REPLACEMENT



(2) 32 LB (BARE WT.) MAGNESIUM ANODES

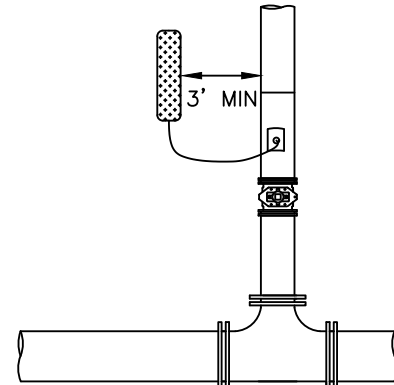
SERVICE TAPS ON HDPE/PVCO

COPPER SERVICE TAP TO HDPE



(1) 5 LB (BARE WT.) ZINC ANODE

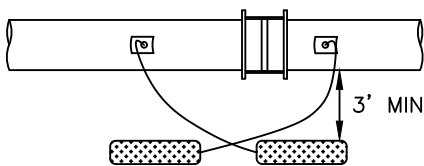
LARGE SERVICE CONNECTION TO HDPE



(1) 32 LB (BARE WT.) MAGNESIUM ANODES

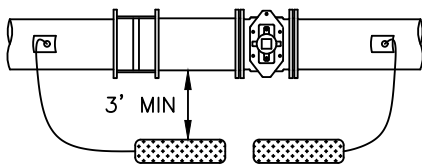
GENERAL MAINS REPAIRS

MAIN BREAK REPAIR



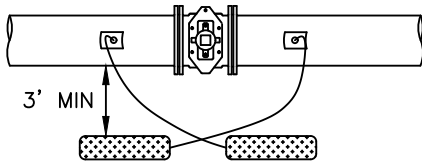
(2) 32 LB (BARE WT.) MAGNESIUM ANODES

VALVE INSTALLATION/REPLACEMENT



(2) 32 LB (BARE WT.) MAGNESIUM ANODES

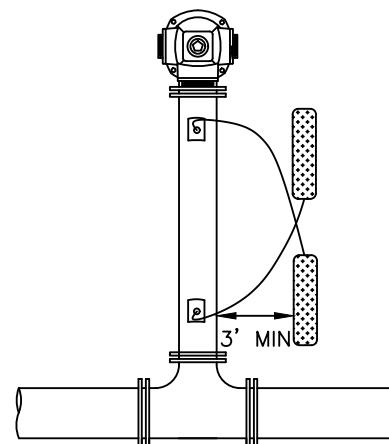
CONNECT TO EXISTING MAIN



(2) 32 LB (BARE WT.) MAGNESIUM ANODES

HYDRANT WORK

HYDRANT INSTALLATION/REPLACEMENT



(2) 32 LB (BARE WT.) MAGNESIUM ANODES

DR. *AMB* DATE. 02/03/2023

CH. *TMJ*

APPROVED

RWH

SAINT PAUL REGIONAL WATER SERVICES
CITY OF ST. PAUL, MN

CATHODIC PROTECTION

MAGNESIUM ANODE PLACEMENT (PLAN VIEWS)

STANDARD
PLATE

D-15

2 of 2