

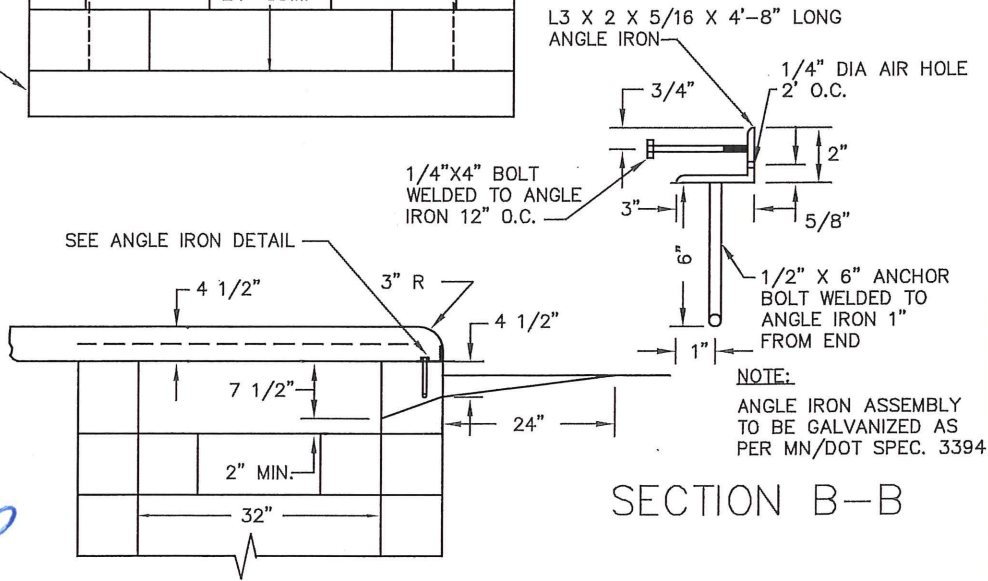
NOTES:

1. REINFORCING STEEL TO BE GRADE 60 FUSION BONDED EPOXY COATED PER ASTM A775
2. MINIMUM CLEAR DISTANCE TO REBAR=1"
3. REMOVE ALL FORMWORK FROM INTERIOR OF CATCHBASIN
4. FOR USE WITH INTEGRAL CURB & WALK
5. TO BE USED ONLY WHERE MAJOR UTILITY CONFLICT PROHIBITS USE OF TYPE 7A CATCH BASIN

I hereby certify that this plan, specification or report was prepared by me or under my direct supervision and that I am a duly Licensed Professional Engineer under the laws of the State of Minnesota

Aaron D. Hass
 AARON D. HASS

Date 01-24-2017 Lic. No. 26424



NOTE:
 ANGLE IRON ASSEMBLY TO BE GALVANIZED AS PER MN/DOT SPEC. 3394

APPROVED *2-2-2017*
Tauell Kurr
 CITY ENGINEER

CITY OF ST. PAUL
 DEPARTMENT OF PUBLIC WORKS

CATCH BASIN, TYPE 2B

Date of Revision
 JAN. 2017

Standard Plate No.
 2004E