

APPROVED 2-2-2017
Paul M. Kurtz
 CITY ENGINEER

CITY OF ST. PAUL
 DEPARTMENT OF PUBLIC WORKS
 CATCH BASIN, TYPE 7A

Date of Revision
 JAN 2017

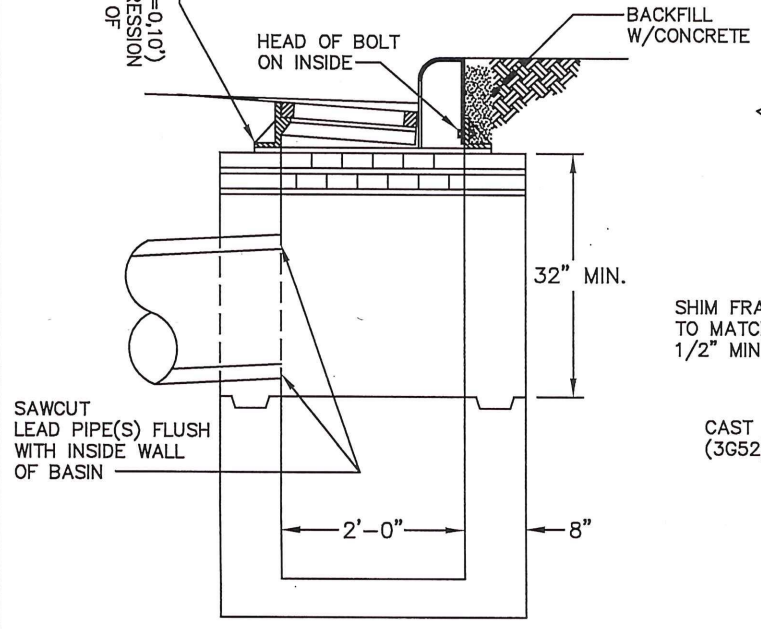
Standard Plate No.
 2015I

Date 01-24-2017 Lic. No. 26424

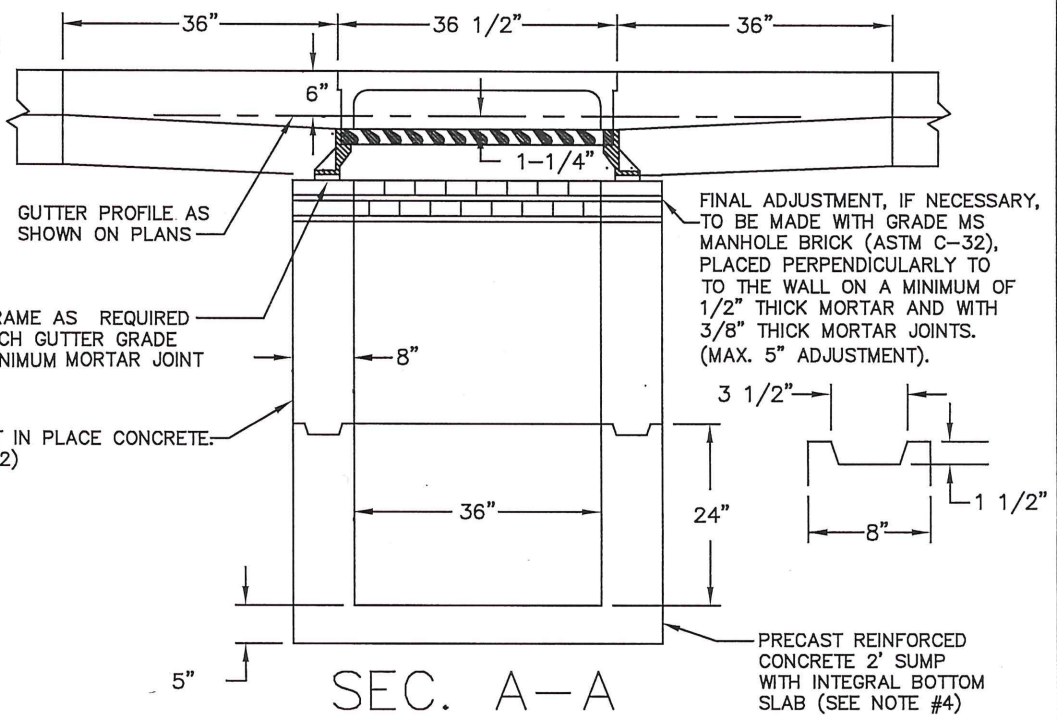
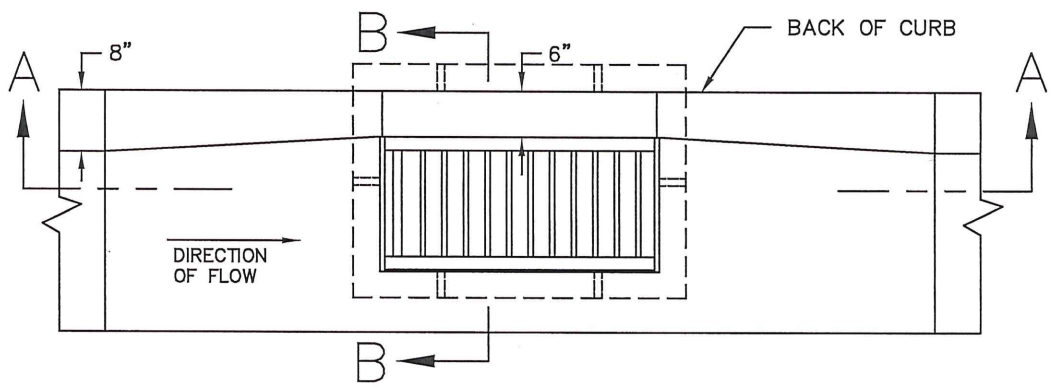
I hereby certify that this plan, specification or report was prepared by me or under my direct supervision and that I am a duly Licensed Professional Engineer under the laws of the State of Minnesota
Aaron D. Hass
 AARON D. HASS

- NOTES:**
1. TAPER & FLOW LINE DEPRESSION SHOWN APPLY TO B-624 CURB. NO TAPER IS REQUIRED WHEN USED WITH INTEGRAL CURB & WALK (STD PLATE 1300D)
 2. FRAME CASTING SHALL MATCH INSIDE OPENING OF BASIN. NO OFFSET WILL BE ALLOWED.
 3. FRAME, GRATE AND CURB BOX AS PER STD. PL. 2211 OR AS NOTED IN THE PLANS.
 4. AT THE CONTRACTORS OPTION, THE BOTTOM SLAB AND/OR SUMP MAY ALSO BE CAST IN PLACE CONCRETE.
 5. ALL CAST IN PLACE CONCRETE SHALL BE MN/DOT MIX 3G52 AND SHALL BE RODDED IN PLACE OR MECHANICALLY VIBRATED TO ASSURE DENSITY AND ELIMINATE HONEYCOMBING.
 6. SEE STANDARD PLATE 3108A FOR USE WITH MOUNTABLE CURB.
 7. IF THE PRECAST SUMP SECTION DOES NOT HAVE A KEYWAY ON TOP OF THE WALL, OR 2 OR MORE LIFTS ARE USED, (6) #4 REINFORCING BARS, 12" LONG SHALL BE DRILLED AND GROUTED INTO THE PRECAST SUMP AND LIFT WALLS.

SHIM FRAME TO PROVIDE 1 1/4" (=0.10") GUTTER LINE DEPRESSION AND MATCH EDGE OF GUTTER



SEC. B-B



SEC. A-A