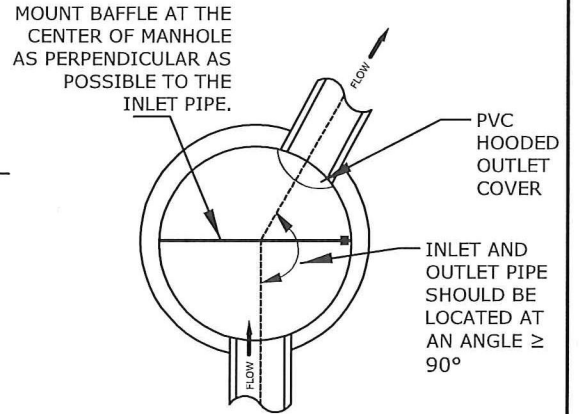
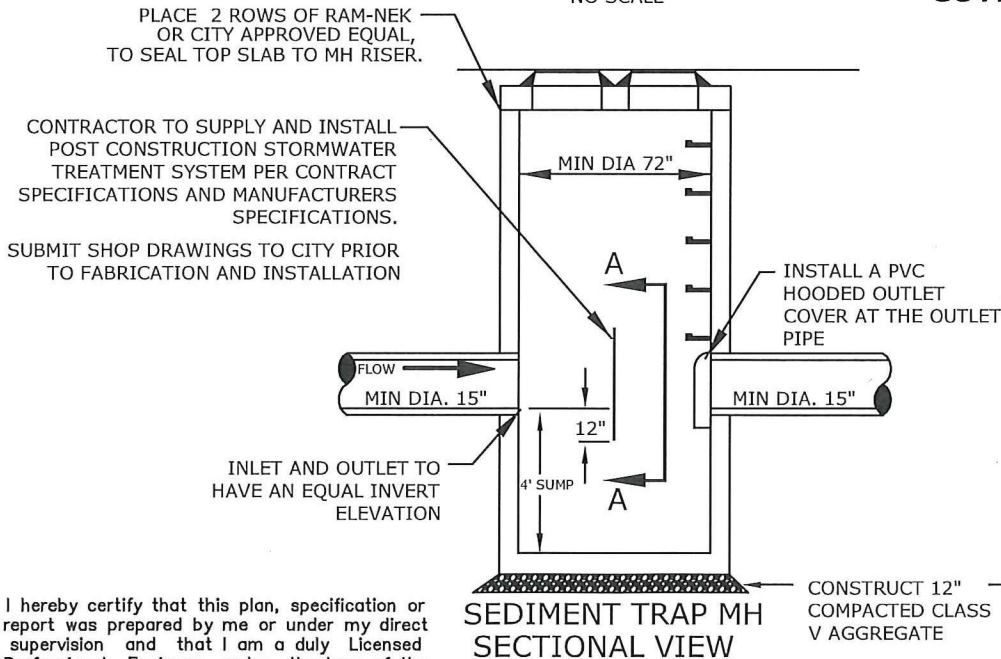


COVER SLAB DETAILS  
NO SCALE



BAFFLE AND HOODED OUTLET COVER INSTALLATION PLAN



SEDIMENT TRAP MH SECTIONAL VIEW

SEC. A-A

I hereby certify that this plan, specification or report was prepared by me or under my direct supervision and that I am a duly Licensed Professional Engineer under the laws of the State of Minnesota

*Aaron D Hass*

Aaron D Hass

Date 10/20/2016 Lic. No. 26424

APPROVED 10 28 2016  
*Paul A. Kurtz*  
CITY ENGINEER

CITY OF ST. PAUL  
DEPARTMENT OF PUBLIC WORKS  
STORM SEDIMENT  
TRAP MANHOLE

Date of  
Revision  
OCT  
2016

Standard  
Plate  
No.  
2112