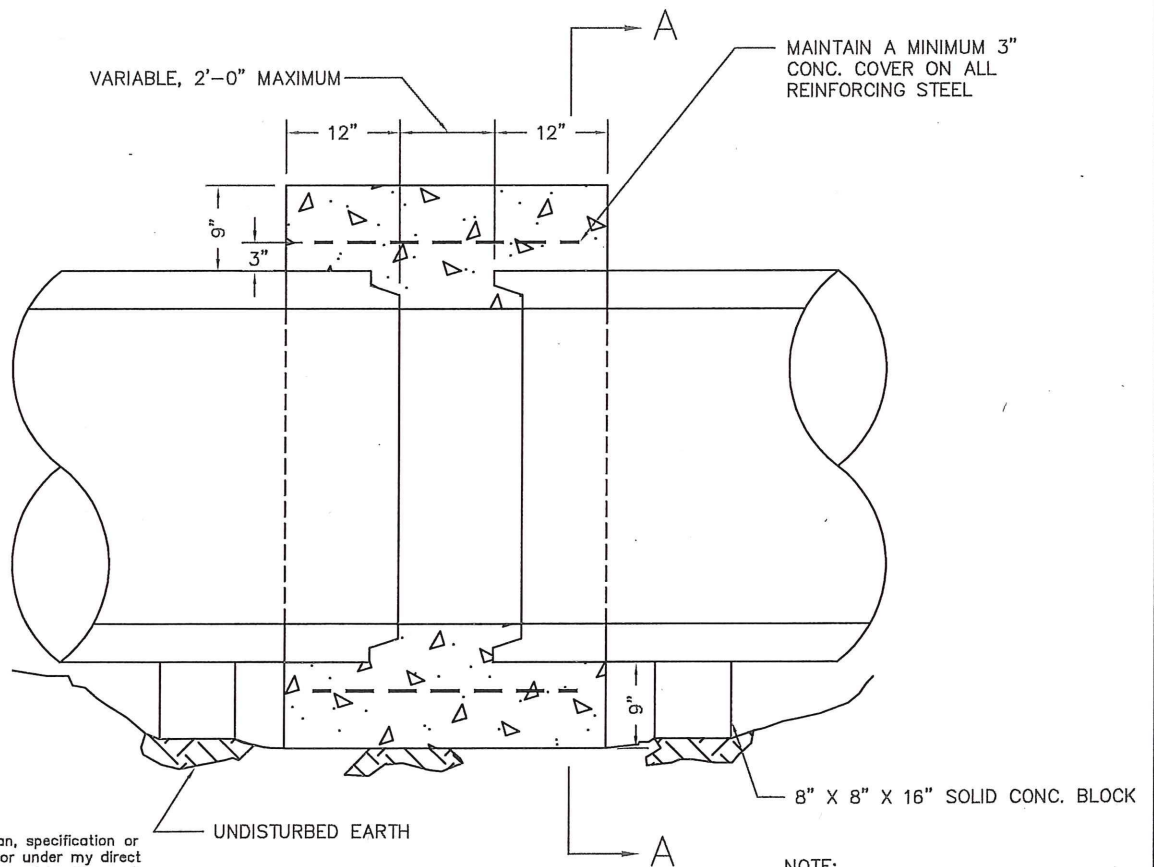


SECTION A-A



LONGITUDINAL SECTION

I hereby certify that this plan, specification or report was prepared by me or under my direct supervision and that I am a duly Licensed Professional Engineer under the laws of the State of Minnesota

Aaron D. Hass
AARON D. HASS

Date 01-24-2017 Lic. No. 26424

NOTE:
FOR USE ON 33" AND LARGER RCP.

APPROVED 2-2-2017
Paul Kurtz
CITY ENGINEER

CITY OF ST. PAUL
DEPARTMENT OF PUBLIC WORKS
CONSTRUCTION JOINT

Date of Revision
JAN 2017

Standard Plate No.
2308D