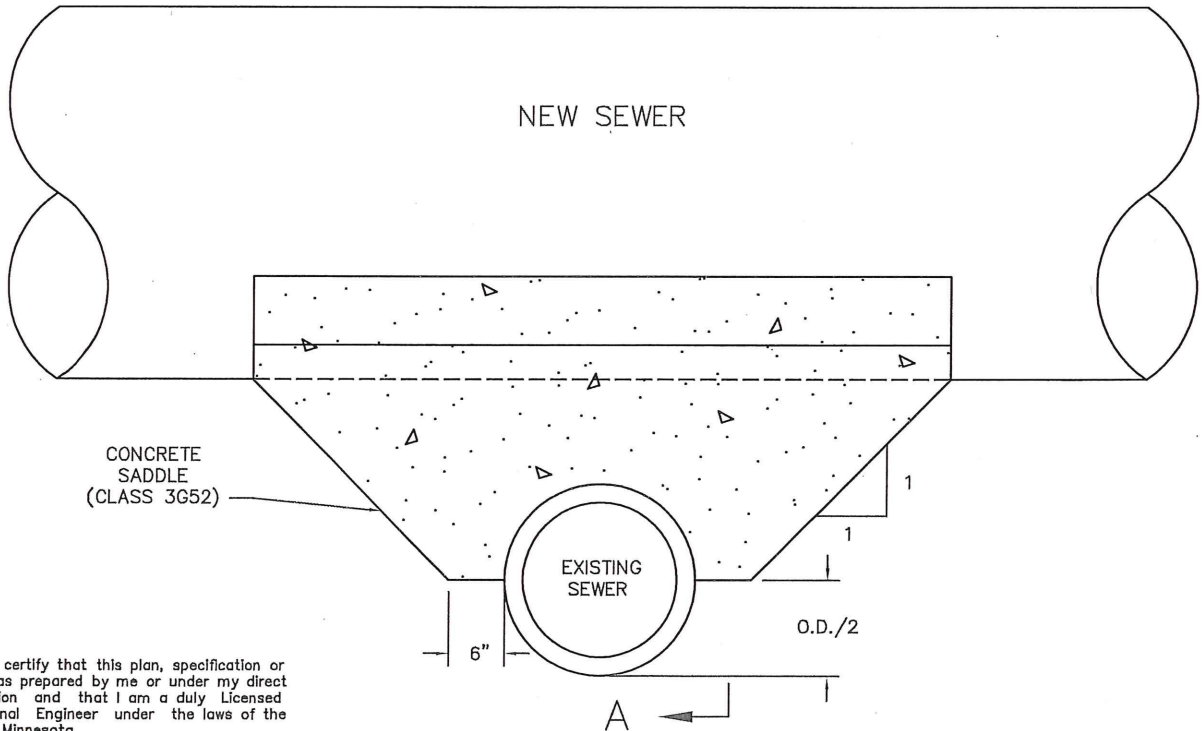


SECTION A-A

A ←



ELEVATION

I hereby certify that this plan, specification or report was prepared by me or under my direct supervision and that I am a duly Licensed Professional Engineer under the laws of the State of Minnesota

*Aaron D. Hass*  
AARON D. HASS

Date 01-24-2017 Lic. No. 26424

NOTE:

THIS TYPE OF CROSSING SHALL NOT BE USED TO CROSS WATERMAINS.

APPROVED 2-2-2017  
*Paul Kurt*  
CITY ENGINEER

CITY OF ST. PAUL  
DEPARTMENT OF PUBLIC WORKS  
CONCRETE SADDLE  
FOR PIPE CROSSINGS

Date of Revision  
JAN 2017

Standard Plate No.  
2318D