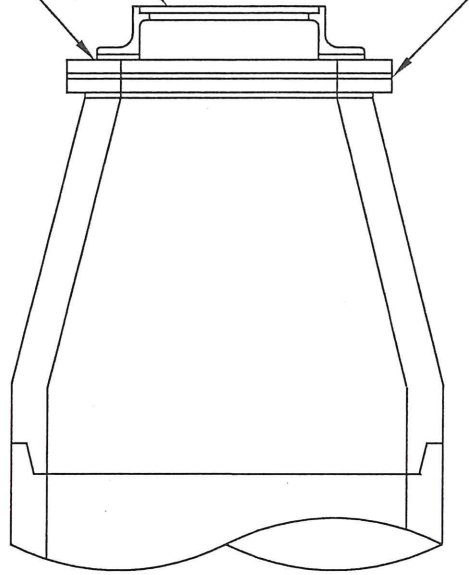


ADJUST MANHOLE 0" TO 6"

CASTINGS A & B
(UNLESS NOTED OTHERWISE)
STD. PLATES 2201E & 2202D

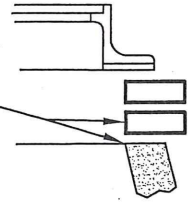
SHIM FRAME TO
MATCH GRADE,
1/2" MIN. MORTAR
THICKNESS.

ADJUSTMENT TO BE MADE WITH
GRADE MS MANHOLE BRICK (ASTM C-32)
PLACED RADIALLY ON A MINIMUM
1/2" THICK MORTAR AND 3/8" MORTAR
JOINTS. (MAXIMUM 6" ADJUSTMENT) WITH
A 3" MORTAR COLLAR AROUND THE
OUTSIDE OF ADJUSTMENT BRICKS. SPLITS
MAY BE NECESSARY. SEE DETAIL TO THE
RIGHT



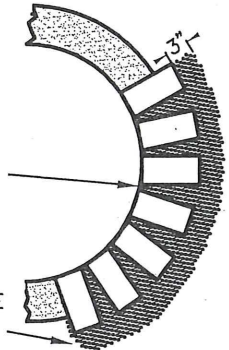
SIDE VIEW

MATCH SHORT SIDE OF
GRADE MS MANHOLE
BRICK (ASTM C-32)
WITH INSIDE RADIUS
OF PRECAST MANHOLE



TOP VIEW

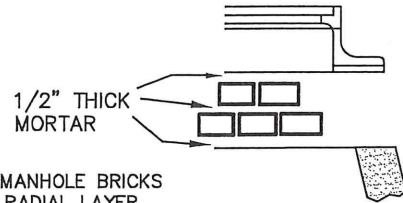
GRADE MS MANHOLE
BRICK (ASTM C-32)
PLACED RADIALLY ON
A MINIMUM OF 1/2"
THICK MORTAR



3/8" MORTAR JOINTS
AT INSIDE RADIUS OF
PRECAST MANHOLE

3" MORTAR COLLAR
AROUND THE OUTSIDE
OF THE ADJUSTMENT
BRICKS

STAGGER BRICKS OVER JOINTS



NOTES:

1. 27 GRADE MS MANHOLE BRICKS
REQUIRED PER RADIAL LAYER
OF ADJUSTMENT OF A STANDARD
MANHOLE

ADJUST MANHOLE 7" TO 17"

CASTINGS A & B
(UNLESS NOTED OTHERWISE)
STD. PLATES 2201E & 2202D

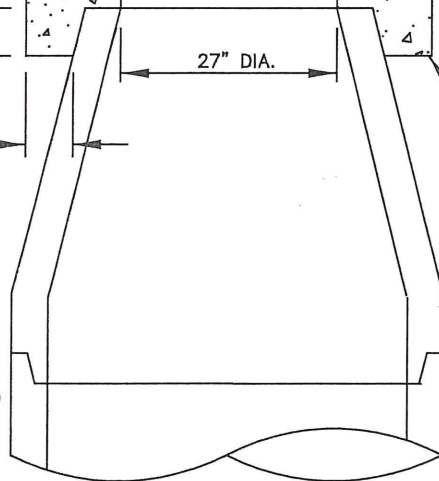
SHIM FRAME TO MATCH GRADE,
1/2" MIN. MORTAR THICKNESS.

ADJUSTMENT TO BE MADE WITH
GRADE MS MANHOLE BRICK
(ASTM C-32) PLACED RADIALLY
ON A MINIMUM 1/2" THICK MORTAR
AND 3/8" MORTAR JOINTS.
(MAXIMUM 2" ADJUSTMENT) WITH
A 3" MORTAR COLLAR AROUND THE
OUTSIDE OF ADJUSTMENT BRICKS.
SPLITS MAY BE NECESSARY. SEE
DETAIL ABOVE.

VARIES 5" TO 15"

27" DIA.

CAST IN PLACE
CONCRETE
(3G52)



NOTES:

1. 27 GRADE MS MANHOLE BRICKS
REQUIRED PER RADIAL LAYER
OF ADJUSTMENT OF A STANDARD
MANHOLE
2. MAY BE USED FOR ADJUSTMENTS
OF LESS THAN 7" WITH APPROVAL
OF THE ENGINEER.
3. SEE MANHOLE RECONSTRUCTION
STANDARD PLATE 2322F FOR
ADJUSTMENTS GREATER THAN 17".

I hereby certify that this plan, specification or
report was prepared by me or under my direct
supervision and that I am a duly Licensed
Professional Engineer under the laws of the
State of Minnesota

Aaron D. Hass
AARON D. HASS

Date 01-24-2017 Lic. No. 26424

APPROVED *2-2-2017*
Tavel Kurt
CITY ENGINEER

CITY OF ST. PAUL
DEPARTMENT OF PUBLIC WORKS
MANHOLE, ADJUST

Date of
Revision
JAN
2017

Standard
Plate
No.
2321B