



# Sustainable power zoning code amendments

Recommended changes to allow for  
wind energy systems in all districts

---

Planning Commission

Sept. 22, 2017



# Introduction

---

- History of wind turbine permitting in Saint Paul
- Types of wind turbines
- Research
  - Impact
  - Applications
- Examples
- Recommendation
- Questions



# History

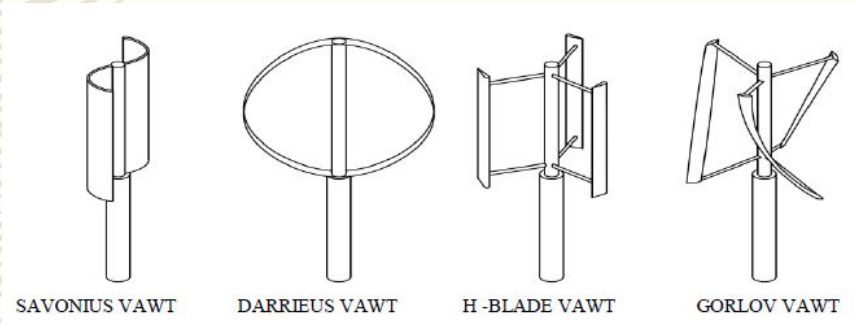
---

- Approval of determination of similar use – Macalester College, 2002
- Approval of determination of similar use – 1010 N. Dale, 2011
- Denial of determination of similar use – Metropolitan State, 2012
  - City council decision upon neighborhood appeal of Planning Commission decision

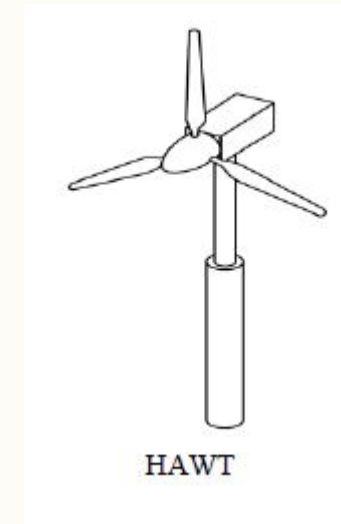
# Types of wind turbines

---

## Vertical axis wind turbines



## Horizontal axis wind turbines



# Research

---

- Practical applications
- Land use impacts
- Other cities
- Code considerations





# Recommendation

---

- Wind energy regulated as an accessory use
  - As are solar installations
- Understood to be permitted in all districts
- Standards/conditions express where/how
- Not listed in a use table – convention has been to list accessory uses in use tables only when they are exceptions
- Regulated similar to surrounding communities
- Code language allows for changes in technology



# Residential roof-mounted systems

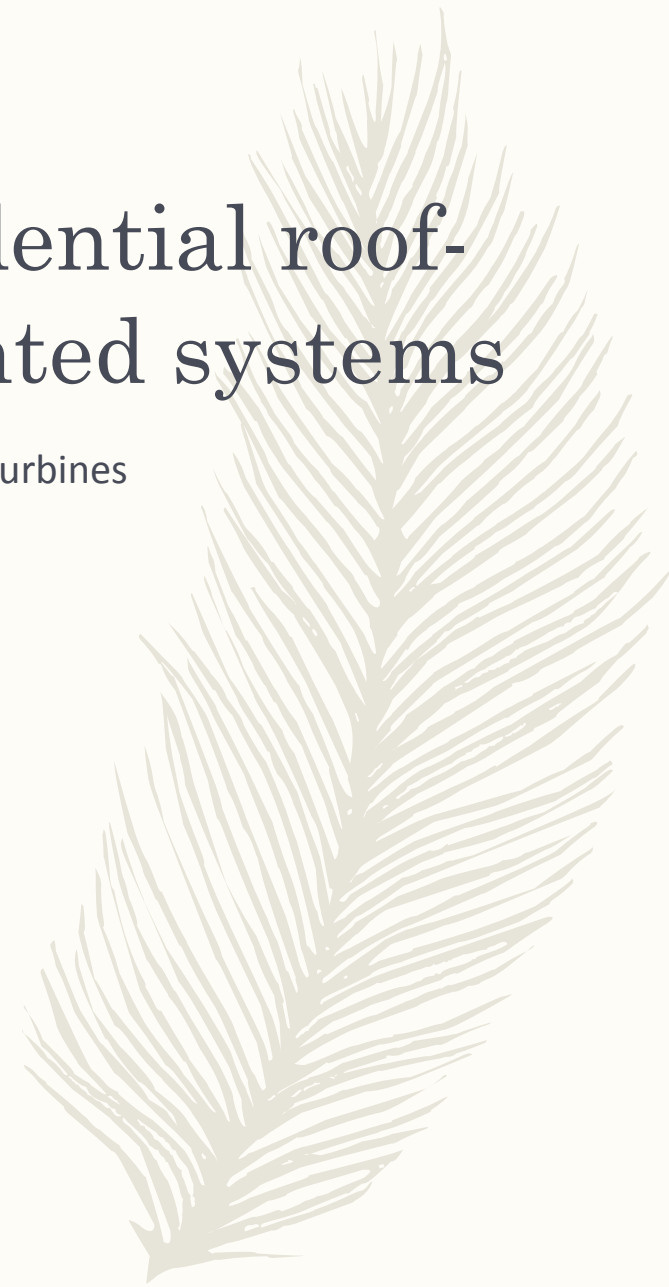
500W wind turbines





# Residential roof-mounted systems

500W wind turbines







# 9<sup>th</sup> Street Lofts

4kW wind turbines

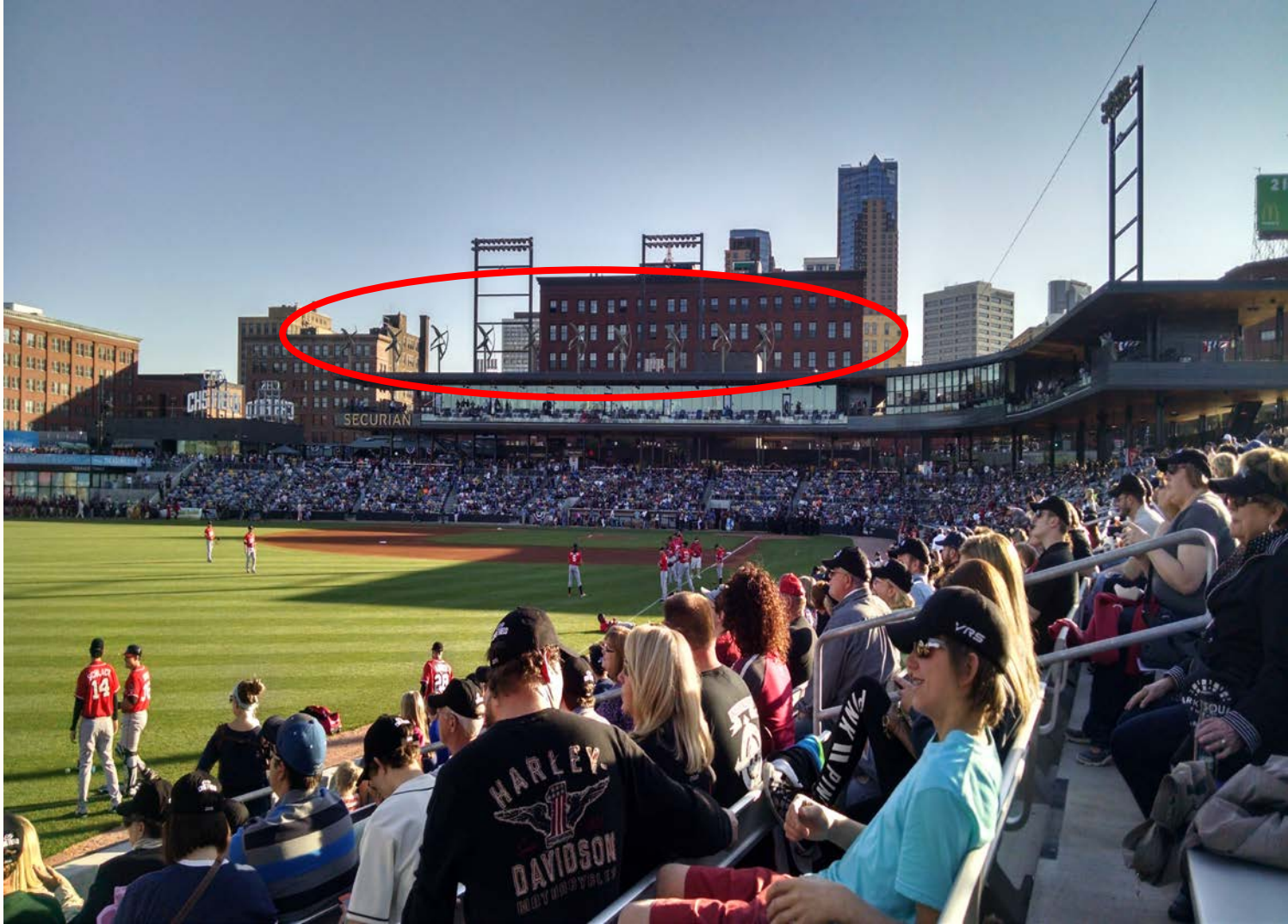




# CHS Field

4kW wind turbines





# CHS Field

4kW wind turbines

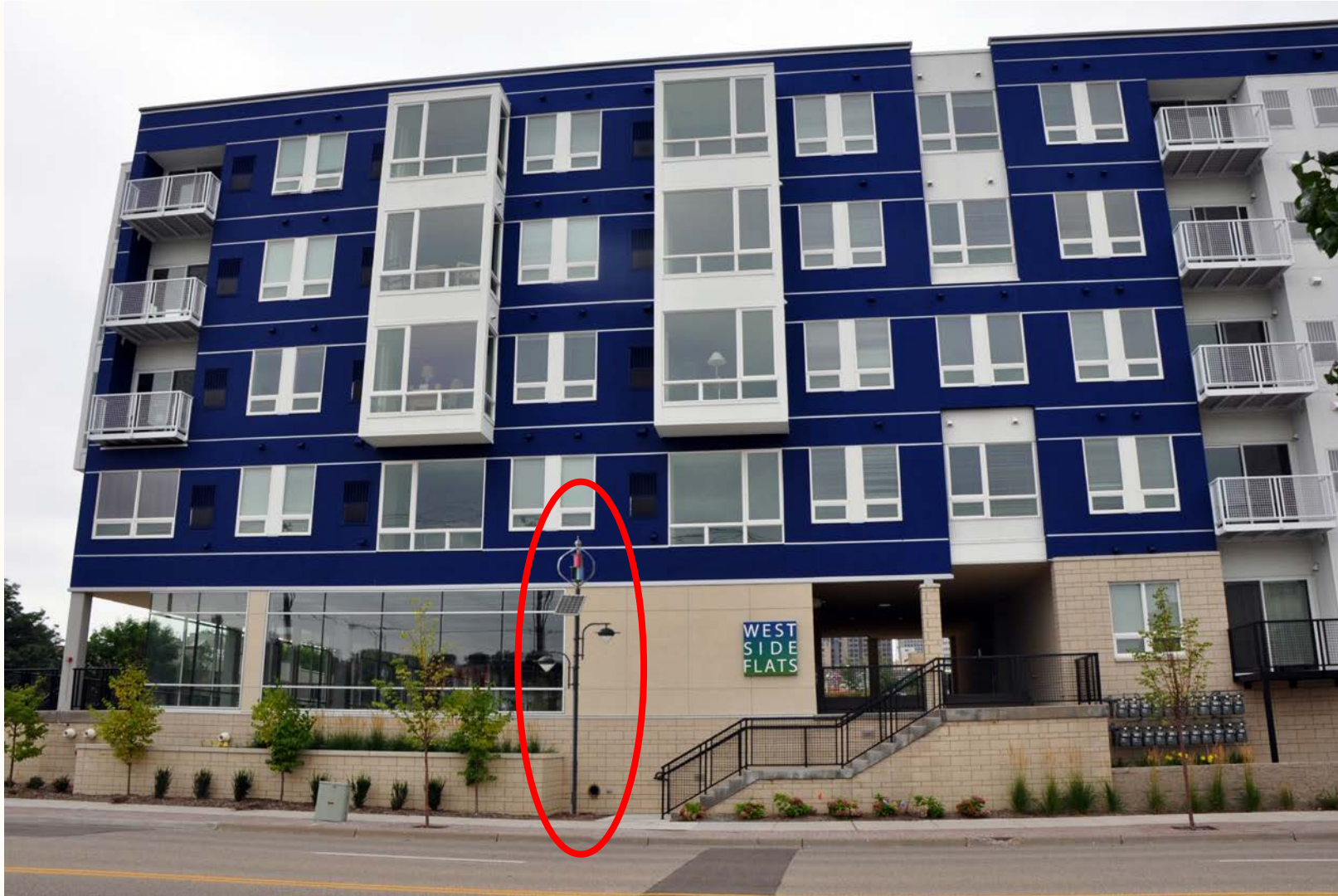




# Hybrid lamppost

300w (shown at West Side Flats)





# Hybrid lamppost

300w (shown at West Side Flats)



# Capitol Lien 1010 N. Dale



# Capitol Lien 1010 N. Dale



# Questions

---

Jake Reilly

Senior City Planner

651-266-6618

[Jake.reilly@ci.stpaul.mn.us](mailto:Jake.reilly@ci.stpaul.mn.us)

