



Sustainable power zoning code amendments

Recommended changes to allow for
wind energy systems in all districts

Planning Commission

Sept. 22, 2017



Introduction

- History of wind turbine permitting in Saint Paul
- Types of wind turbines
- Research
 - Impact
 - Applications
- Examples
- Recommendation
- Questions

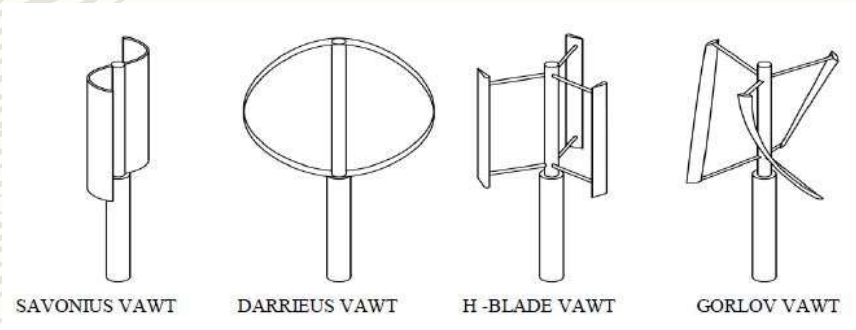


History

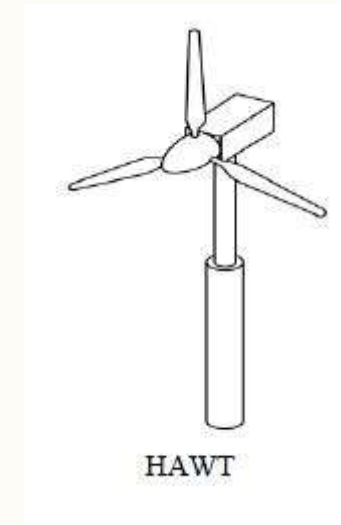
- Approval of determination of similar use – Macalester College, 2002
- Approval of determination of similar use – 1010 N. Dale, 2011
- Denial of determination of similar use – Metropolitan State, 2012
 - City council decision upon neighborhood appeal of Planning Commission decision

Types of wind turbines

Vertical axis wind turbines



Horizontal axis wind turbines



Research

- Practical applications
- Land use impacts
- Other cities
- Code considerations





Recommendation

- Wind energy regulated as an accessory use
 - As are solar installations
- Understood to be permitted in all districts
- Standards/conditions express where/how
- Not listed in a use table – convention has been to list accessory uses in use tables only when they are exceptions
- Regulated similar to surrounding communities
- Code language allows for changes in technology



Residential roof-mounted systems

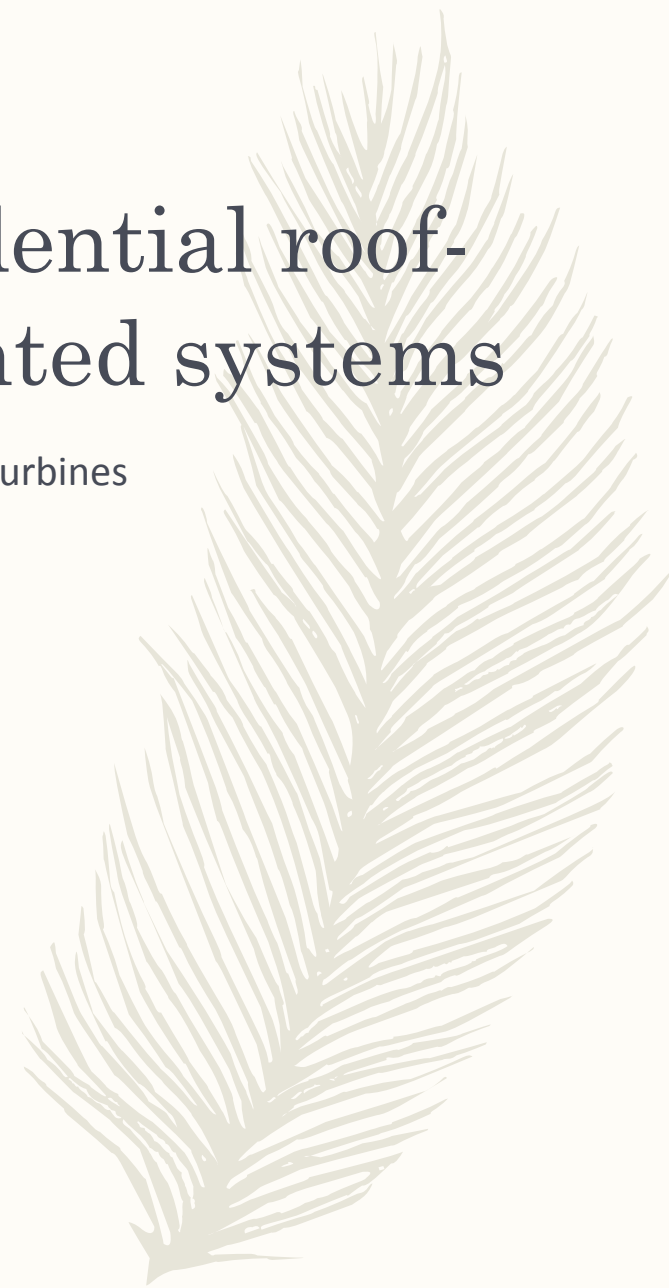
500W wind turbines





Residential roof-mounted systems

500W wind turbines





9th Street Lofts

4kW wind turbines

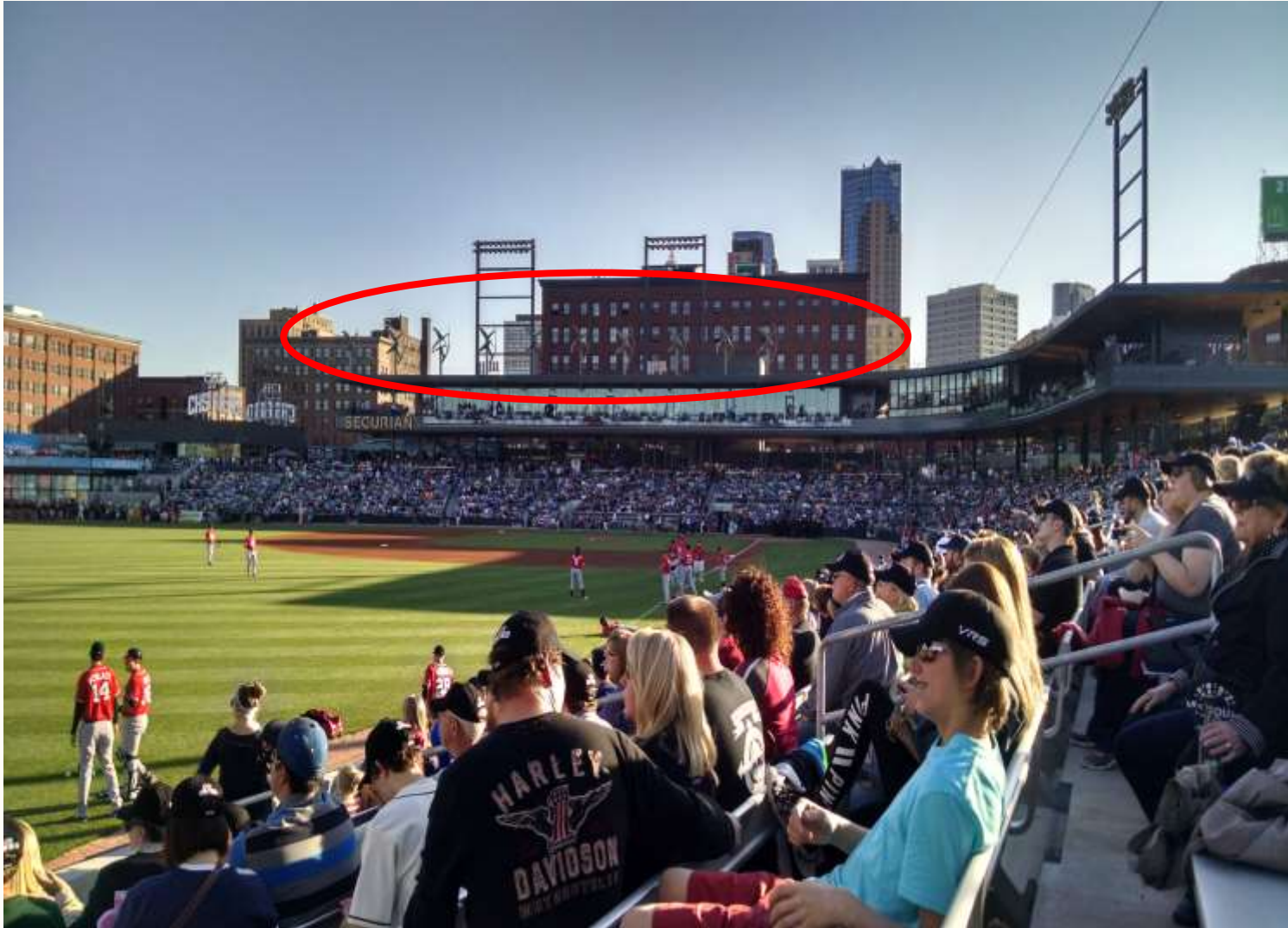




CHS Field

4kW wind turbines





CHS Field

4kW wind turbines





Hybrid lamppost

300w (shown at West Side Flats)





Hybrid lamppost

300w (shown at West Side Flats)



Capitol Lien 1010 N. Dale



Capitol Lien 1010 N. Dale





Questions

Jake Reilly

Senior City Planner

651-266-6618

Jake.reilly@ci.stpaul.mn.us