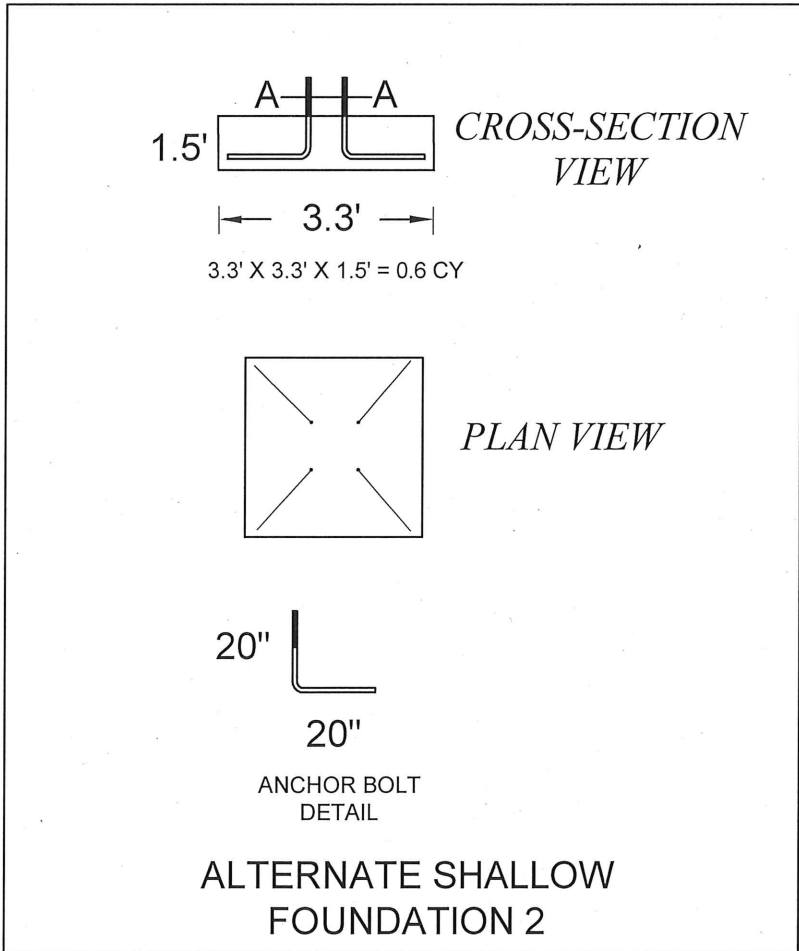
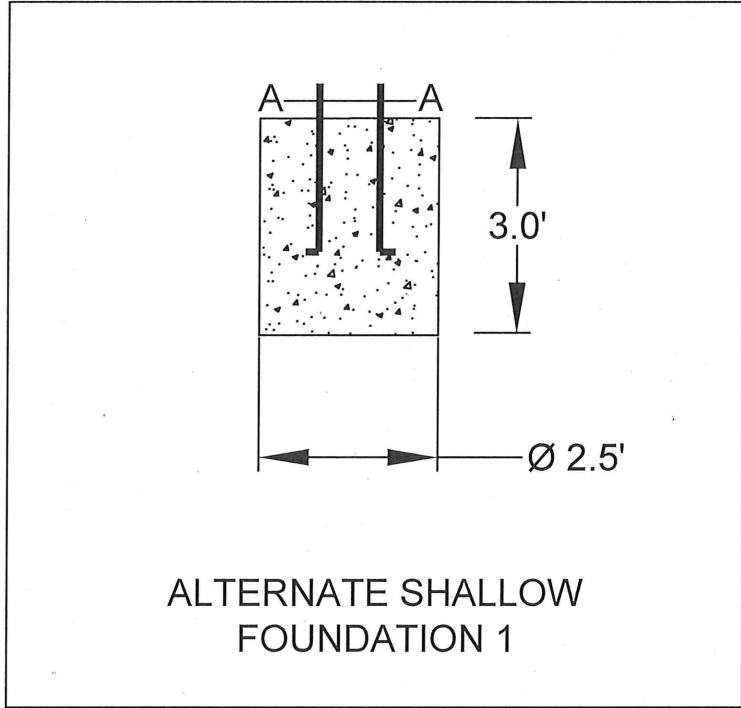
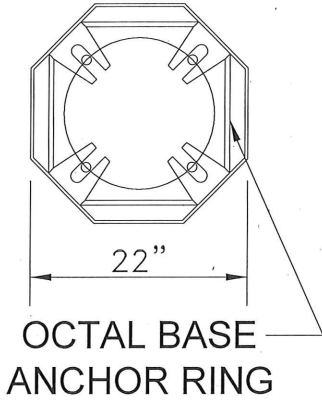


SECTION A-A  
SLOTS FOR 1" BOLTS  
ON 15" BOLT CIRCLE



I hereby certify that this plan, specification or report was prepared by me or under my direct supervision and that I am a duly Licensed Professional Engineer under the laws of the State of Minnesota.

*Benjamin J. Hawkins*  
BENJAMIN J. HAWKINS

Date: 7/18/2018 Lic. No. 49104

APPROVED 7/18/2018  
*Paul V. Kurty*  
CITY ENGINEER

CITY OF ST PAUL DEPARTMENT OF PUBLIC WORKS  
ALTERNATE SHALLOW  
LIGHTING FOUNDATIONS

DATE OF  
REVISION:  
JULY  
2018

STANDARD  
PLATE  
NO.  
5055