

CASTINGS A & B
STD. PLATES 2201E & 2202D
(UNLESS OTHERWISE NOTED)

ADJUST TO GRADE PER
STD. PLATES 2321C
(1' MIN. ADJUSTMENT)

NEENAH R-1976 INSPECTION FRAME
& LID OR APPROVED EQUAL

HS25 LOAD RATED TOP
SLAB WITH LIFTING
MECHANISMS

CONCRETE 3G52

MANHOLE

C900 OR C905 P.V.C. (STAND PIPE)
WITH MECHANICAL RETAINER JOINTS
(STAND PIPE DIAMETER TO MATCH
MAINLINE/DROP PIPE - MAXIMUM 10")

WHERE DEPTH OF DROP IS LESS THAN
5'-6" USE TEE AS SHOWN BELOW, AND
OMIT CLEANOUT PIPE AND MANHOLE.

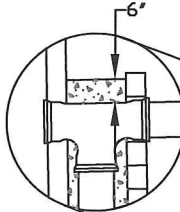
JOINTS BETWEEN PRECAST CONCRETE
SECTIONS SHALL USE O-RING RUBBER
GASKET CONFORMING TO ASTM C-443

PIPE REDUCER FOR MAINLINES/DROP
PIPES GREATER THAN 10"

DO NOT ENCASE JOINT

TRANSITION TO SEWER MAIN
MATERIAL TO BE ON UNDISTURBED
SOIL. MIN. DISTANCE FROM EDGE
OF EXCAVATION IS 2'

MAINLINE SANITARY SEWER
C900 OR C905 P.V.C.



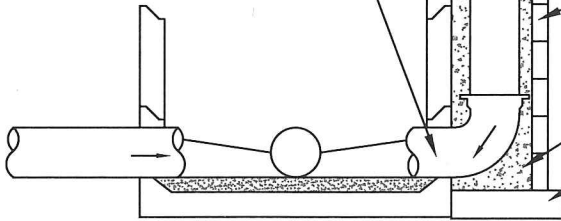
WATERTIGHT PIPE CONNECTIONS
SHALL BE INSTALLED (FIELD OR
FABRICATION FACILITY) CONFORMING
TO ASTM C-923 AND C-443, AND
ALLOW FOR 10 DEGREE
DEFLECTION IN ANY DIRECTION.

C900 OR C905 P.V.C. (DROP PIPE) WITH
MECHANICAL RETAINER JOINTS
(DROP PIPE DIAMETER TO MATCH MAINLINE)

6" PRECAST CONCRETE HORSESHOES SET
IN 3/8" FULLY MORTARED BED
(AVAILABLE IN 4' SECTIONS DEPENDING ON
HEIGHT AND DEPTH OF DROP OF MANHOLE)

CONCRETE 3G52

3G52 BOTTOM SLAB TO BE INTEGRAL WITH
STRUCTURE BASE OR FIELD POURED AND
CONNECTED WITH DOWELS TO INTEGRAL BASE
(MINIMUM 8" THICKNESS WITH #4 BARS 8" O.C.)
(MINIMUM 22" X 30" DIMENSIONS)



SECTION

NOTES:

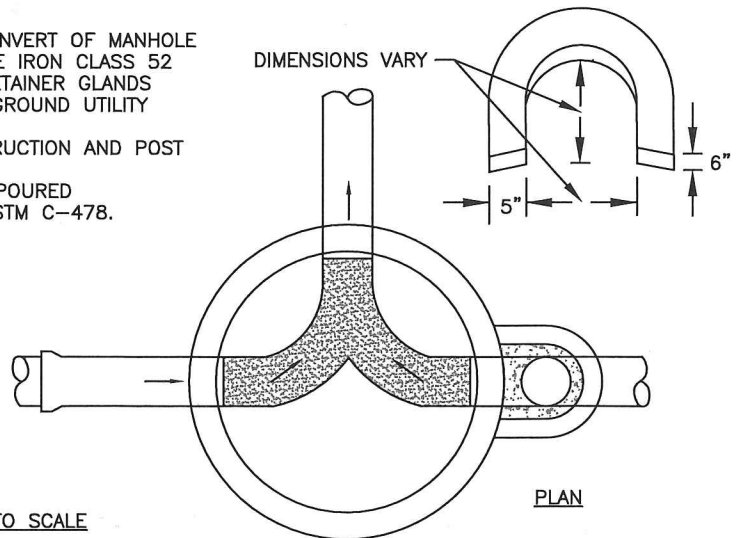
1. USE FOR DROPS GREATER THAN 2'-0" ABOVE INVERT OF MANHOLE
2. FITTINGS ARE CAST IRON, CLASS 150 OR DUCTILE IRON CLASS 52
3. CROSS TO BE D.I.P. CL 52 WITH MECHANICAL RETAINER GLANDS
4. CONCRETE ENCASEMENT CLASS 3G52 OR UNDERGROUND UTILITY MORTAR MIX CONTAINING PORTLAND CEMENT
5. TELEWISE DROP PIPE AND MANHOLE PRE-CONSTRUCTION AND POST CONSTRUCTION.
6. INVERTS AND BENCH TO BE PRECAST OR FIELD POURED
7. PRECAST CONCRETE RISER SECTIONS TO MEET ASTM C-478.
8. NO STEPS FOR STRUCTURES GREATER THAN 20'
9. SUBMIT SHOP DRAWING FOR REVIEW

I hereby certify that this plan,
specification or report was
prepared by me or under my
direct supervision and that I am
a duly Licensed Professional
Engineer under the laws of the
State of Minnesota

Aaron D. Hass
AARON D HASS

Date 4-16-20 Lic. No. 26424

DIMENSIONS VARY



PLAN

NOT TO SCALE

APPROVED 4-17-2020
Paul Kurtz
CITY ENGINEER

CITY OF ST. PAUL
DEPARTMENT OF PUBLIC WORKS
OUTSIDE DROP
SANITARY MANHOLE

Date of
Revision
APRIL
2020

Standard
Plate
No.
2115